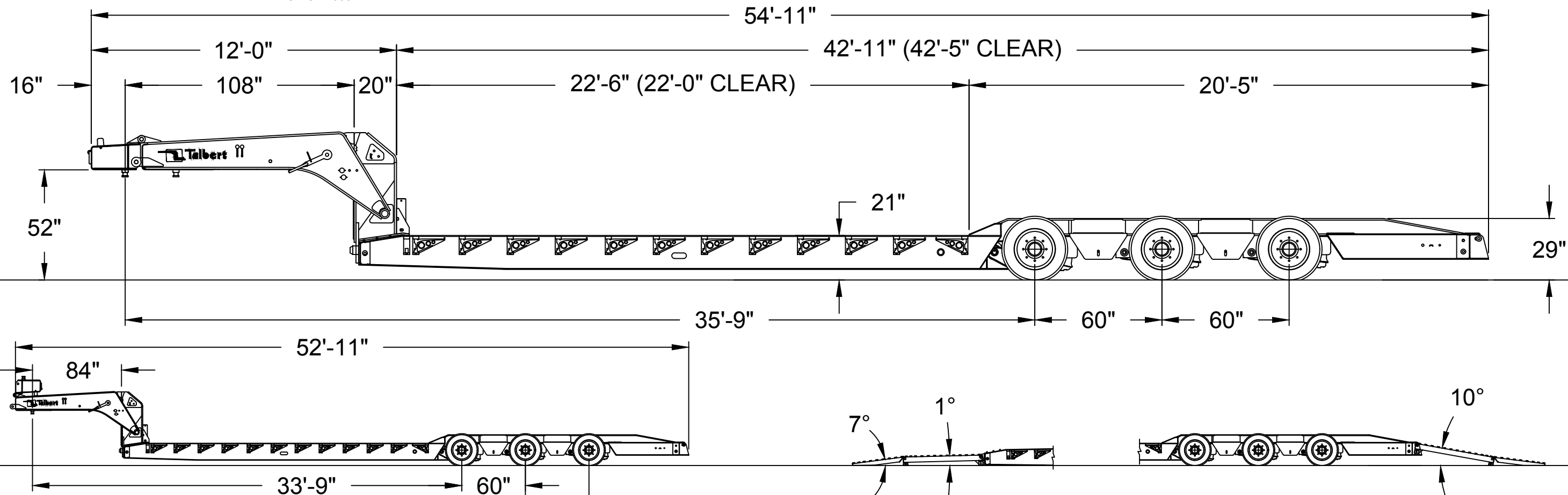


T3-50CC-BH-HRG-T1 (BUS HAULER)



GOOSENECK EXTENSION FLIPPED
FOR 53' OVER ALL LENGTH

ALUMINUM RAMPS UTILIZED FOR FRONT
AND REAR LOADING OPTIONS

- Capacity: 100,000# In A 12'-6" Two Point Rigid Load Base
- Ratchet Gooseneck Design With 5 Load Positions
- 84" Swing radius With 24" Gooseneck Extension For 108" Swing radius
- Hydraulically Operated Support Arm
- Aluminum Cover Plate To Protect Hydraulics
- Enclosed Chain Bar In Gooseneck Base
- Gooseneck Light Bar
- Wet-Line Operation (Gas Power Pack Optional)
- Four (4) Beam T-1/80K Construction
- 42'-11" Lower Deck And Rear Bridge Length
- 8'-6" Width
- 21" Loaded Deck, Bolster And Rear Platform Height; 5" Loaded Road Clearance
- 1-1/2" Apitong Flooring
- 12" Swinging/Removable Outriggers
- Removable 32" Steel Fixed Front Ramps
- Removable 10'-0" Aluminum Ramps
- 6'-0" Deck Bucket Well With Formed Plate
- Chain Baskets Full Deck Length
- 20,000# Capacity Winch Recessed In Deck With Snatch Block For Front & Rear Loading
- 12-1/4" x 7-1/2" Brake System
- Hub Piloted Aluminum / Steel Disc Wheels
- Tires: 245/70R22.5 (J) 18 PR Michelin Tires
- Ridewell Air Ride Suspension
- Right Weigh Digital Scale
- Manual Exhaust Valve; Air Lift 3rd Axle
- Automatic & Manual Height Controls
- Recessed Rear Bridge Crossmembers
- 5'-0" Rear Loading Platform
- 7 Way Plug With L.E.D. Lights Opt. Package
- 32 Lash Rings
- Valspar R-Cure 800 Top Coat With Clear Coat

Various Options Available Upon Request (Note: Underlined items are optional equipment)