

# TRAVELING AXLE SERIES



4048TA / 4050TA / 4053TA  
5548TA / 5553TA



# TA SERIES



Heavy duty 15,000 lb. planetary winch with air tensioner and wireless remote is standard equipment.

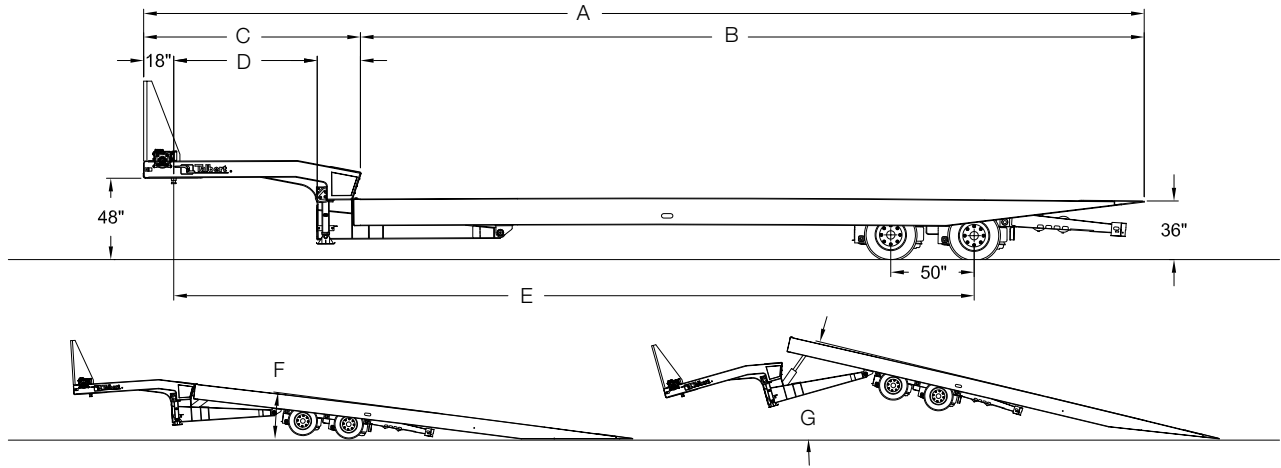


Steel I-beam crossmembers on 9 in. centers provide the framework for the rugged Talbert TA Series.



With an industry-leading 36 in. loaded deck height, the TA Series offers state-of-the-art load versatility.

# TA SERIES



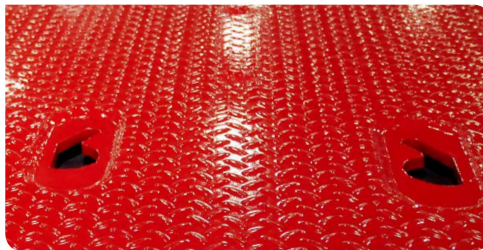
- Four Beam, T-1 & 80k Construction
- 20,000 lb. Planetary Winch with Air-Tensioner, Cable and Shackle
- Six-Function Wireless Remote (Winch, Tilt and Axles)
- Wet-Line Operation (Gas Power Pack Optional)
- Large Capacity, Lockable Tool Box on Curb Side with Chain Rack, Updated Hardware and Door Seal
- Two-Speed Landing Gear
- Cable Roller at Front, Center of Lower Deck
- 8 ft. - 6 in. Width
- Updated, Larger Diameter Piggy-Back Cylinder
- 4 in. I-Beam Crossmembers on 9 in. Centers
- 1 1/2 in. Apitong Flooring
- Keyhole Chain Slots in Side Beams and Deck Centerline; both on 36 in. Centers
- Eight Keyhole Chain Slots Across Rear Approach Plate
- Centralized Lube System
- 12 1/4 in. x 7 1/2 in., 2S/1M ABS System
- Hub Piloted Steel Disc Wheels
- Tires: 235/75R17.5 (H) 16 PR
- RIDEWELL Air Ride Suspension
- Right Weigh Digital Load Scale
- 7-Way Plug With LED Lights
- Valspar Aquaguard™ Primer Coat and Valspar R-Cure 800° Top Coat

## Various Options Available Upon Request (Note: Underlined items are optional equipment)

Dimensions	4048TA	4050TA	4053TA	5548TA	5553TA
A = O/A Length	48 ft. 0 in.	50 ft. 0 in.	53 ft. 0 in.	48 ft. 0 in.	53 ft. 0 in.
B = Lower Deck	37 ft. 2 in.	39 ft. 2 in.	41 ft. 6 in.	37 ft. 2 in.	41 ft. 6 in.
C = Upper Deck	10 ft. 10 in.	10 ft. 10 in.	11 ft. 6 in.	10 ft. 10 in.	11 ft. 6 in.
D = Swing Radius	86 in.	86 in.	96 in.	86 in.	96 in.
E = Axle Setting	40 ft. 8 in.	40 ft.	45 ft. 8 in.	40 ft. 8 in.	45 ft. 8 in.
F = Load Angle	7 Degrees	7 Degrees	6 Degrees	7 Degrees	6 Degrees
G = Dump Angle	14 Degrees	14 Degrees	14 Degrees	14 Degrees	14 Degrees
No. of Axles	2	2	2	3	3
Capacity	80K Dist / 50K in 10 ft.	80K Dist / 50K in 10 ft.	80K Dist / 50K in 10 ft.	110K Dist / 80K in 10 ft.	110K Dist / 80K in 10 ft.
Estimated Weight	18,420 lbs.	19,480 lbs.	19,480 lbs.	21,080 lbs.	22,140 lbs.



Large Capacity, Lockable Tool Box on Curb Side with Chain Rack



Eight Keyhole Chain Slots Across Rear Approach Plate



Valspar Aquaguard™ Primer Coat and Valspar R-Cure 800° Top Coat

Dealer:



Talbert Manufacturing Inc. \ 1628 W. State Road 114 \ Rensselaer IN 47978 \ 800-348-5232 \ Fax: 219-866-7060

sales@talbertmfg.com \ www.talbertmfg.com

0815 PUB 230C