

# CLOSE COUPLE LOWBED SERIES



55CC



55CC



With an industry-leading 18 inch loaded deck height, the 55SCC offers state-of-the-art load versatility.

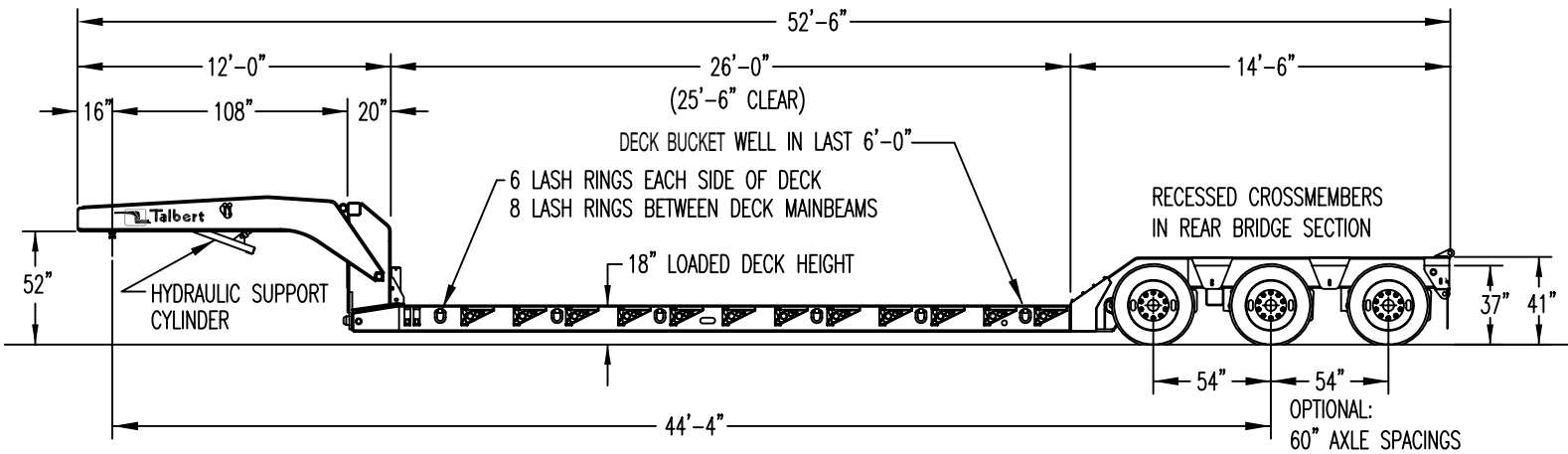


Robust, four-cylinder hydraulic removable gooseneck maximizes lift capacity and load height.



Best in class lift capacity of any trailer on the market.

# 55CC



- Non-Ground Bearing Gooseneck Design
- 108 in. Swing Radius (Other Lengths Optional)
- Hydraulic Support Cylinder (Standard)
- Front Folding / Fixed Ramps (Optional)
- 26 ft. 0 in. Deck Length
- 12 in. Swinging / Removable Outriggers
- 8 ft. 6 in. Wide Deck
- 18 in. Loaded Deck Height / 6 in. Loaded Road Clearance
- 1/4 in. Plate Bucket Well in Last 6 ft. of Deck
- 2 in. Apitong Flooring Outboard Mainbeams
- Two Sections Chain Storage
- High Strength 100,000 psi Minimum Yield Steel
- Axles: 25,000 lb. Capacity
- **RIDEWELL** Suspension: Air Ride with Automatic and Talbert +3 in. / -3 in. Manual Control
- Manual Exhaust Valve
- Tires: 275/70R22.5 (H)
- Wheels: Steel Disc, Hub Piloted with Outboard Brake Drums
- Bolsters and Half Bolster on Rear Bridge
- 41 in. Mainbeam / 37 in. Bolster Height
- Boom Well in Rear Bridge
- Spring Parking Brake on Axle Two
- 4th Axle Capable
- 12 Volt L.E.D. Sealed Light System
- 110,000 lb. Capacity in 1/2 Deck Length
- Estimated Weight: 22,450 lbs.
- **Valspar** R-Cure 800 Red or Black Paint

Various Options Available Upon Request. Specifications Subject To Change Without Notice.



Dealer:

Talbert Manufacturing Inc. \ 1628 W. State Road 114 \ Rensselaer IN 47978 \ 800-348-5232 \ Fax: 219-866-7060

sales@talbertmfg.com \ www.talbertmfg.com

0315 PUB 222C