

CLOSE COUPLE LOWBED SERIES



50CC



50CC



Stout boxed recessed cross-members yields extra deep rear bridge boom well; first cross-member recessed additionally.

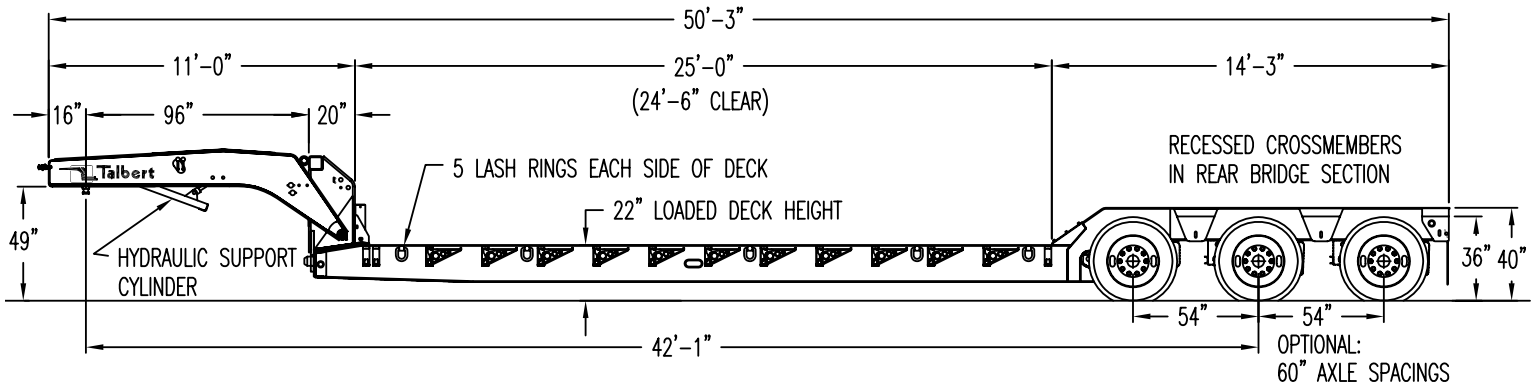


Robust, four-cylinder hydraulic removable gooseneck maximizes lift capacity and load height.



Best in class lift capacity of any trailer on the market.

50CC



- Non-Ground Bearing Hydraulic Gooseneck Design
- 96 in. Swing Radius (Other Lengths Optional)
- Hydraulic Support Cylinder (Standard)
- Front Folding / Fixed Ramps (Optional)
- 25 ft. 0 in. Deck Length
- 12 in. Swinging / Removable Outriggers
- 8 ft. 6 in. Wide Deck
- 22 in. Loaded Deck Height
- 6 in. Loaded Road Clearance
- 1-1/2 in. Apitong Flooring
- High Strength 100,000 psi Minimum Yield Steel
- Axles: 25,000 lbs. Capacity
- **RIDEWELL** Suspension: Air Ride with Automatic and Talbert +3 in. / -3 in. Manual Control
- Tires: 255/70R22.5 (H)
- Wheels: Steel Disc, Hub Piloted with Outboard Brake Drums (ABS Optional)
- Bolsters and Half Bolster on Rear Bridge
- 40 in. Mainbeam / 36 in. Bolster Height
- Boom Well in Rear Bridge
- Spring Parking Brake on Axle Two
- Optional 4th Axle
- 12 Volt LED Sealed Light System
- 102,000 lb. Capacity in 1/2 Deck Length
- Estimated Weight: 18,180 lbs.
- **Valspar** R-Cure 800 Red or Black Paint

Various Options Available Upon Request. Specifications Subject To Change Without Notice.



Dealer:



Talbert Manufacturing Inc. \ 1628 W. State Road 114 \ Rensselaer IN 47978 \ 800-348-5232 \ Fax: 219-866-7060

sales@talbertmfg.com \ www.talbertmfg.com

0315 PUB 202D